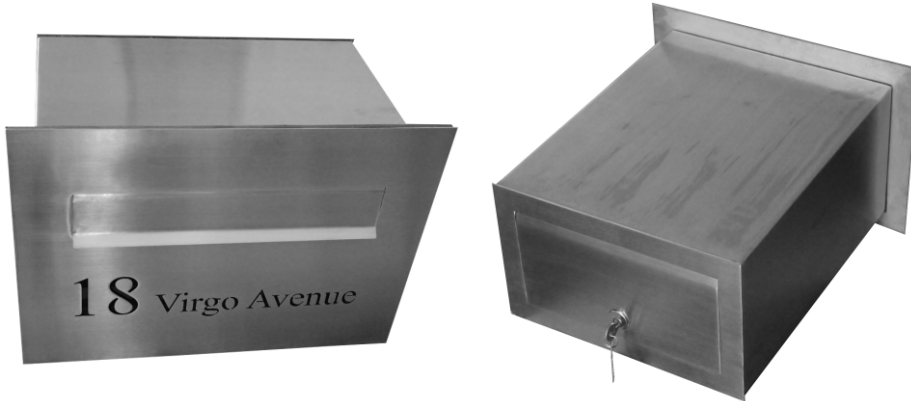


Savy Design

Stainless Steel Signage & Letterboxes

Savy Design's Rear-Opening Letterbox Units are designed to be built into a boundary wall. The outer face includes a flap and can include lasercut street numbers and names. The letterbox's front face fits hard-up against the outside of the wall, with the housing and inner door projecting through the wall.



Dimensions:

We use the EU Letterbox Standard as a guideline for our letterbox dimensions. This requires that a C4-sized envelope (229 x 324mm) be inserted without bending. The opening dimensions required in the wall are indicated below.

Materials:

We fabricate our letterboxes from brushed stainless steel in the following grades:

- Grade 316 for external applications in coastal areas
- Grade 304 for internal or inland applications

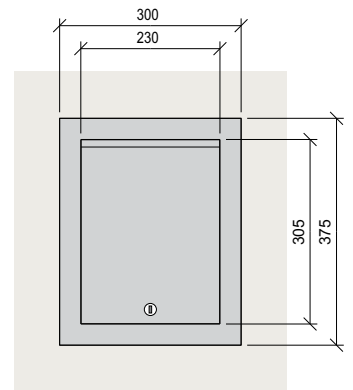
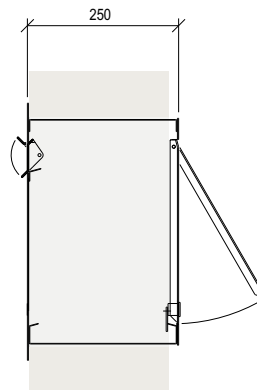
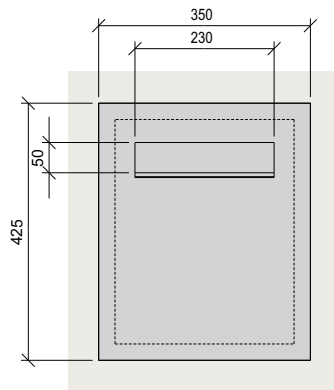
Locks:

The letterboxes are fitted with camlocks and each supplied with 2 keys.

Portrait Orientation

Opening in wall required:

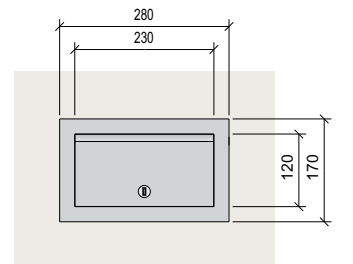
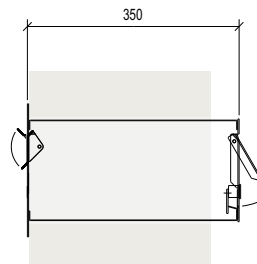
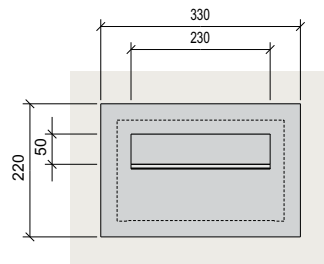
- Width 305mm
- Height 380mm
- Maximum wall thickness 230mm



Standard Size - Landscape Orientation

Opening in wall required:

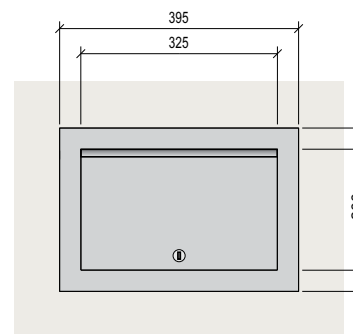
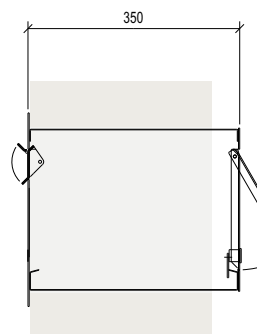
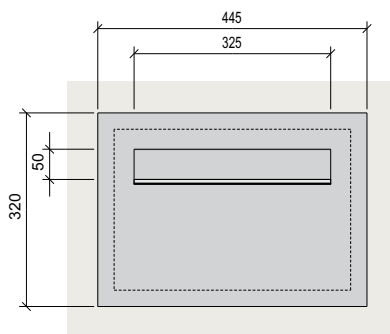
- Width 285mm
- Height 175mm
- Maximum wall thickness 330mm



Extra Large - Landscape Orientation

Opening in wall required:

- Width 400mm
- Height 275mm
- Maximum wall thickness 300mm



Andrew Spengler
Mobile: +27 83 393 1441
E-mail: andrew@savydesign.co.za

Savy Spengler
Mobile: +27 83 555 6660
E-mail: savy@savydesign.co.za

Tel: +27 21 785 1075 / 785 1924
E-mail: info@savydesign.co.za
Web: www.savydesign.co.za

8 Quarry Rd Fish Hoek
PO Box 968, Sunvalley, 7985